

BESSEY® Product Training



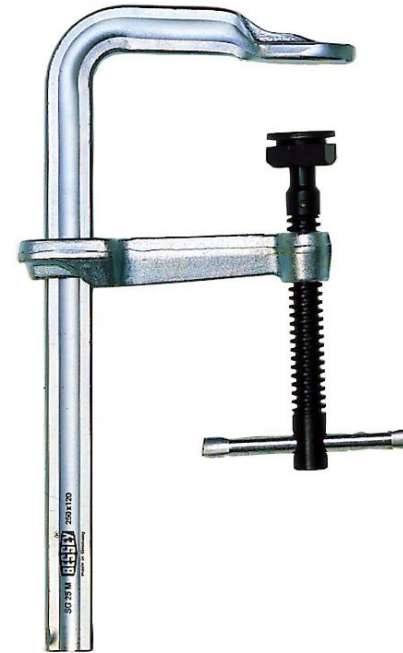
BESSEY® Tools North America
Premium all-steel bar clamps: 2400S



Premium all-steel bar clamps: 2400S Series

2400S Series:

- ❑ Market introduction in 1972
- ❑ A top-selling model
- ❑ Any patents have long expired
- ❑ Stronger competition:
 - Nearly identical „look“
 - A range of products, bad to good
- ❑ Strong price pressures



Premium all-steel bar clamps: 2400S Series

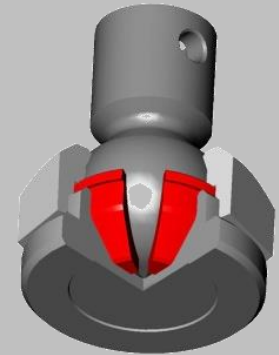
Fixed jaw:

- 20% more clamping force per spindle turn!
- Heat-treated for longer lifetime.



Sliding jaw:

- Very robust, straight line power transmission... like in bridges.
- Jaw is drop forged and heat-treated for longer lifetime.



Old



New



High-performance pressure plate:

- Heat resistant MorPad 35° swivel, long lifetime due to an oil dipped sintered inlay.

Product is protected:

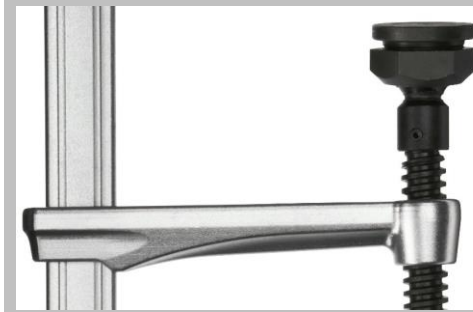
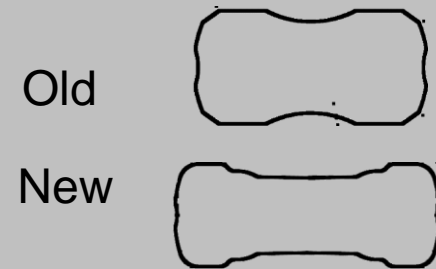
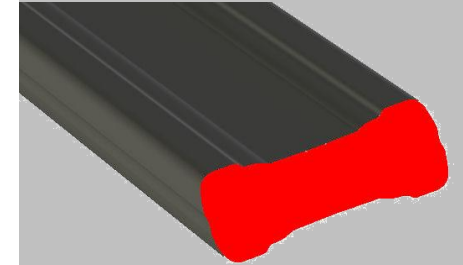
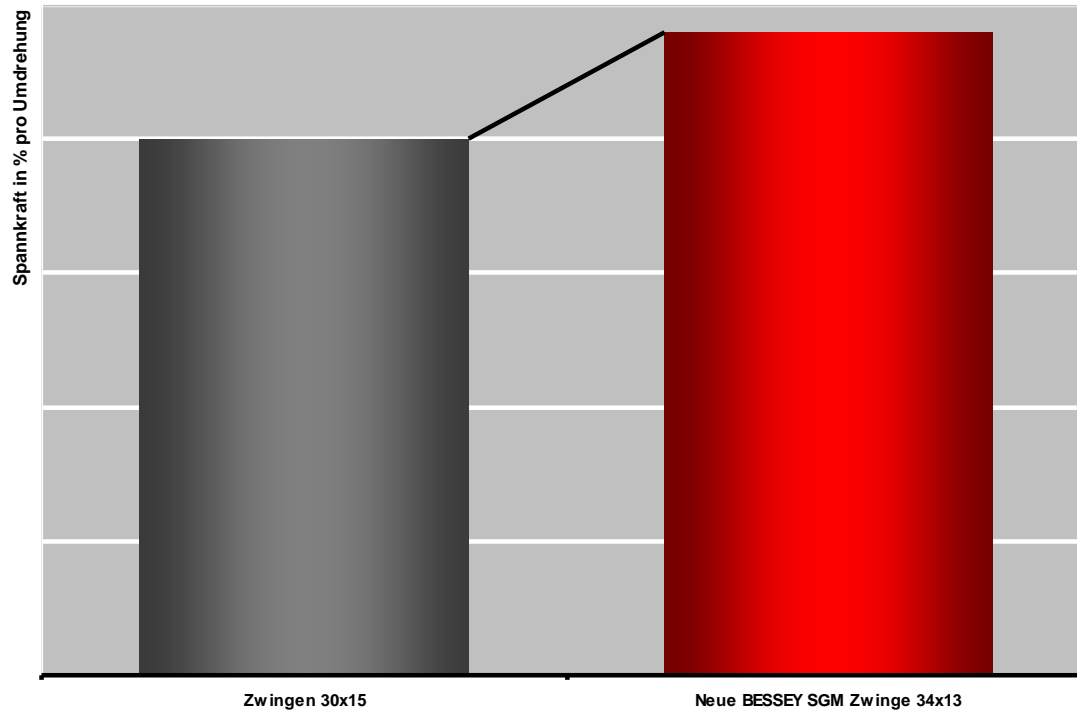
- technical patents
- design patents



Premium all-steel bar clamps: 2400S Series

Stability:

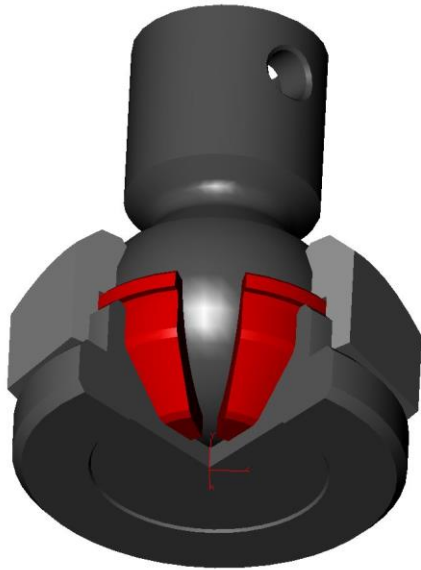
- Optimized profile.
- Stable & safe with 2800 lbs of clamping force



Premium all-steel bar clamps: 2400S Series

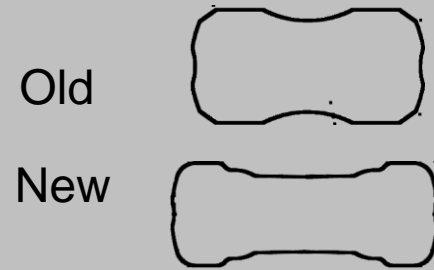
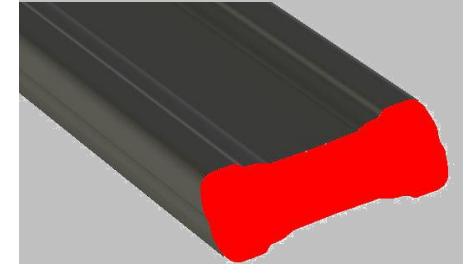


Einfach besser.

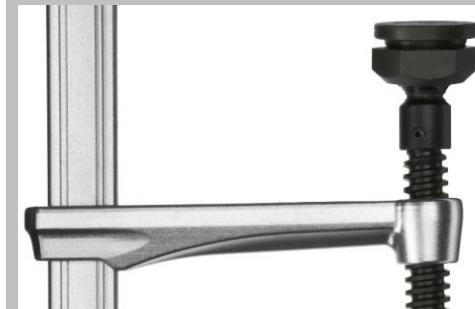


Benefits at a glance:

- ❑ Greater life expectancy at full clamping capacity
- ❑ Smoother operation at a full 35 degrees...low friction
- ❑ Less chance of „jamming“ the Morpad...tight fit



Wear pattern on competitors clamps



Premium all-steel bar clamps: 2400S Series

	Competitor „S“	Competitor „E“	BESSEY
Picture of the pressure plate			
Clamping force*	2660 lb	2660 lb	2660 lb
Clamping force after 35 times of clamping	- 50% 1330 lb**	- 21% 2097 lb	2660 lb

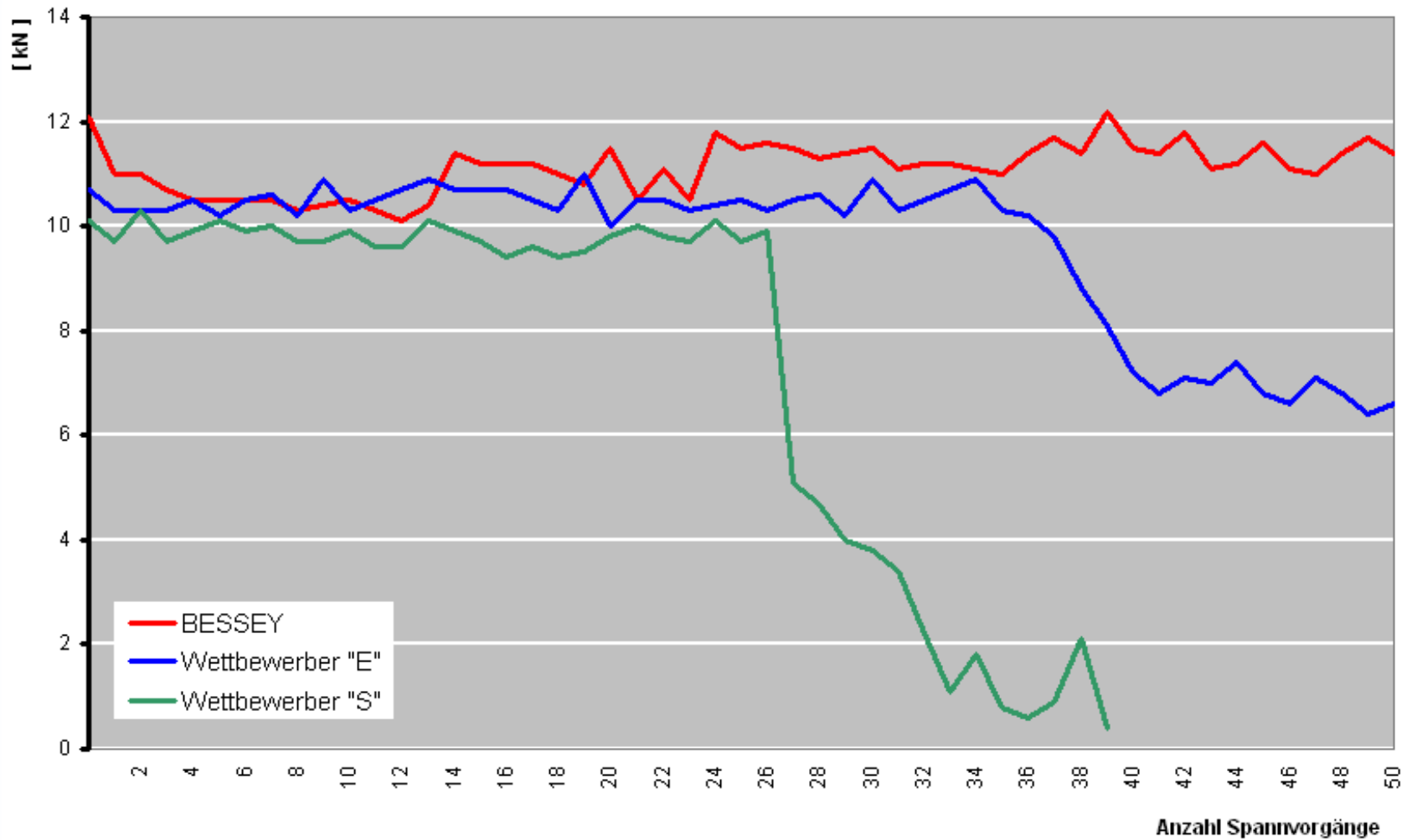
* Measured using a 2400S-12 clamp (rail 30x15mm) at 150mm opening, torque 40 Nm.

** 6.000 N after just 35 times of tightening.

Test done of BESSEY-R&D and sample building dept. from BESSEY Tool GmbH & Co. KG, Germany

Premium all-steel bar clamps: 2400S Series

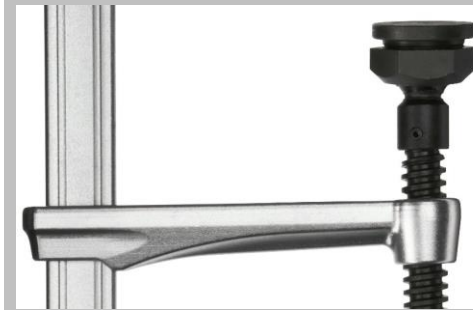
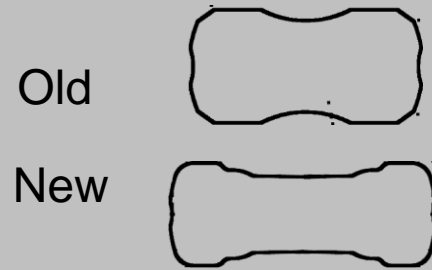
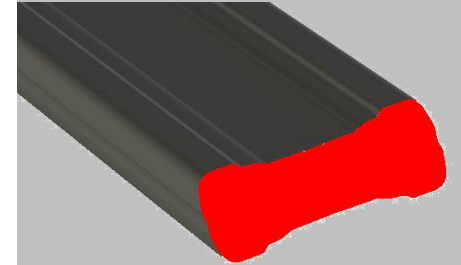
Loss of clamping force per spindle rotation



Premium all-steel bar clamps: 2400S Series

General Information:

- ❑ Earlier version of 2400S discontinued September 2008
- ❑ Upgraded 2400S retains:
 - same product names
 - same UPC codes
- ❑ Upgrades represent 2-3 new patents ...intellectual property that makes it tougher for competitors



Thank you for your attention!

BESSEY® Tools North America
